



Quality Plywood Specialties Unfinished Wood Door Order Form

Ph: 727-572-0500 or 888-722-1181

ORDER# _____ PAGE _____ OF _____

Fax Back to: 727-592-0658

DATE: _____ COMPLETION DATE: _____ JOB #: _____ SALESMAN: _____

CUSTOMER NAME: _____ PHONE: _____ FAX: _____

WOOD SPECIES: _____ DOOR STYLE: _____ PANEL PROFILE: _____ INSIDE EDGE: _____ OUTSIDE EDGE: _____ HINGE BORE: _____ BLUM	WOOD SPECIES: _____ DOOR STYLE: _____ PANEL PROFILE: _____ INSIDE EDGE: _____ OUTSIDE EDGE: _____ HINGE BORE _____ BLUM	DRAWER FRONTS SPECIES: _____ STYLE: _____ PANEL PROFILE: _____ INSIDE EDGE: _____ OUTSIDE EDGE: _____
---	--	--

	QTY	WTH	HT	Notes		QTY	WTH	HT	Notes		QTY	WTH	HT	Notes
1					1					1				
2					2					2				
3					3					3				
4					4					4				
5					5					5				
6					6					6				
7					7					7				
8					8					8				
9					9					9				
10					10					10				
11					11					11				
12					12					12				
13					13					13				
14					14					14				

TOTAL DOORS _____ TOTAL DOORS _____ TOTAL DRAWERS _____

ALL QUOTES WILL BE SENT BACK WITHIN 24 HOURS

CONFIRMATIONS NOT RETURNED WITHIN 24 HOURS WILL BE CONSIDERED CORRECT. FAXED BY: _____ DATE: _____ TIME: _____ INITIAL IF CORRECT: _____ FAX BACK: (727) 592-0658



Quality Plywood Specialties Pre-Finished Wood Door Order Form

Ph: 727-572-0500 or 888-722-1181

ORDER# _____ PAGE _____ OF _____

Fax Back to: 727-592-0658

DATE: _____ COMPLETION DATE: _____ JOB #: _____ SALESMAN: _____

CUSTOMER NAME: _____ PHONE: _____ FAX: _____

WOOD SPECIES: _____ DOOR STYLE: _____ PANEL PROFILE: _____ INSIDE EDGE: _____ OUTSIDE EDGE: _____ HINGE BORE: ___ BLUM	WOOD SPECIES: _____ DOOR STYLE: _____ PANEL PROFILE: _____ INSIDE EDGE: _____ OUTSIDE EDGE: _____ HINGE BORE ___ BLUM	DRAWER FRONTS SPECIES: _____ STYLE: _____ PANEL: _____ INSIDE EDGE: _____ OUTSIDE EDGE: _____
---	--	--

CLEAR SANIBEL MAPLE DRIFTWOOD SOLAR OAK NUTMEG CARMEL
 HONEY MAPLE REBEL MAPLE WILD CHERY ENGLISH OAK OTHER: _____

GLAZES: COCO WHITE VAN DYKE BROWN BLACK

	QTY	WTH	HT	Notes		QTY	WTH	HT	Notes		QTY	WTH	HT	Notes
1					1					1				
2					2					2				
3					3					3				
4					4					4				
5					5					5				
6					6					6				
7					7					7				
8					8					8				
9					9					9				
10					10					10				
11					11					11				
12					12					12				
13					13					13				
14					14					14				

TOTAL DOORS _____

TOTAL DOORS _____

TOTAL DRAWERS _____

ALL QUOTES WILL BE SENT BACK WITHIN 24 HOURS

CONFIRMATIONS NOT RETURNED WITHIN 24 HOURS WILL BE CONSIDERED CORRECT.
 FAXED BY: _____
 DATE: _____ TIME: _____
 INITIAL IF CORRECT: _____
 FAX BACK: (727) 592-0658



Quality Plywood Specialties MDF & Thermofoil Door Order Form

Ph: 727-572-0500 or 888-722-1181

ORDER# _____ PAGE ____ OF ____

Fax Back to: 727-592-0658

DATE: _____ COMPLETION DATE: _____ JOB #: _____ SALESMAN: _____

CUSTOMER NAME: _____ PHONE: _____ FAX: _____

_____ MDF RAW	_____ ANTIQUE WHITE	_____ HARDROCK MAPLE	_____ WILD APPLE
_____ MDF w/WT. MEL. BACK	_____ SMOOTH WHITE	_____ SANIBEL MAPLE	_____ WILD CHERRY
_____ FROSTY WHITE	_____ ARTISTRY ELM	_____ SELECT CHERRY	_____ CRAFT WHITE
_____ PORCELAIN WHITE	_____ CHERRY PEAR	_____ SWISS PEAR	_____ OTHER _____

DOOR STYLE _____ DOOR STYLE _____ DRAWER STYLE _____
 ROUTE PROFILE _____ ROUTE PROFILE _____ Routed PROFILE _____
 EDGE PROFILE _____ EDGE PROFILE _____ EDGE PROFILE _____

	QTY	WTH	HT	Notes		QTY	WTH	HT	Notes		QTY	WTH	HT	Notes
1					1					1				
2					2					2				
3					3					3				
4					4					4				
5					5					5				
6					6					6				
7					7					7				
8					8					8				
9					9					9				
10					10					10				
11					11					11				
12					12					12				
13					13					13				
14					14					14				

TOTAL DOORS _____ TOTAL DOORS _____ TOTAL DRAWERS _____

BORE FOR HINGES _____ BLUM INDICATE LEFT (L) OR RIGHT (R) IN NOTES COLUMN

ALL QUOTES WILL BE SENT BACK WITHIN 24 HOURS

CONFIRMATIONS NOT RETURNED WITHIN 24 HOURS WILL BE CONSIDERED CORRECT.
 FAXED BY: _____
 DATE: _____ TIME: _____
 INITIAL IF CORRECT: _____
 FAX BACK: (727) 592-0658



Quality Plywood Specialties Molding Order Form

Ph: 727-572-0500 or 888-722-1181

ORDER# _____ PAGE _____ OF _____

Fax Back to: 727-592-0658

DATE: _____ COMPLETION DATE: _____ PO #: _____ SALESMAN: _____

CUSTOMER NAME: _____ PHONE: _____ FAX: _____

_____ Hard Maple	_____ Oak	_____ Mahogany	_____ Cherry
_____ Soft Maple	_____ Lindenwood	_____ Poplar	_____ Knotty Pine
_____ Other			
___ CLEAR	___ SANIBEL MAPLE	___ DRIFTWOOD	___ SOLAR OAK
___ HONEY MAPLE	___ REBEL MAPLE	___ WILD CHERY	___ ENGLISH OAK
		___ NUTMEG	___ CARMEL
OTHER: _____			
GLAZES: _____ COCO _____ WHITE _____ VAN DYKE BROWN _____ BLACK			

	<u>QTY</u>	<u>Description</u>	<u>Set-up Charge</u>	<u>LF Price</u>	<u>Cost</u>
1.					
2.					
3.					
4.					
5.					
6.					
7.					
8.					
9.					
10.					
11.					
12.					
13.					
14.					
15.					

Sign to Confirm Order:

_____ Date: _____

Subtotal	
Freight	
Total	

ALL QUOTES WILL BE SENT BACK WITHIN 24 HOURS

Q Quality Plywood Specialties Dovetailed Drawer Boxes

(727) 572-0500 / (888) 722-1181 (727) 592-0658 FAX _____ QUOTE _____ ORDER

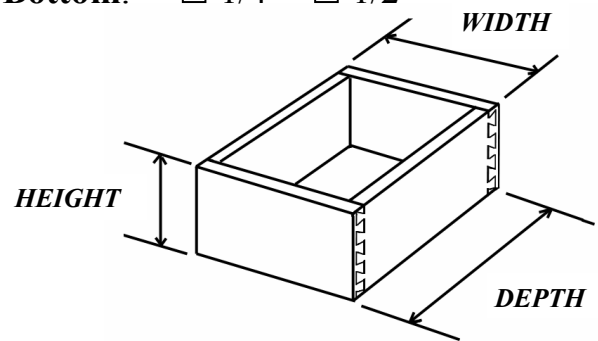
DATE: _____ CUSTOMER NAME: _____ PO # _____ PHONE # _____ FAX # _____	SPECIES: _____ RUSTIC MAPLE _____ SELECT SOFT MAPLE _____ HARD MAPLE OTHER: _____
--	--

CLEAR COATED _____ KNOCK DOWN _____ (BOXES ARE ASSEMBLED UNLESS NOTED OTHERWISE)
 DADOS _____ (SPECIFY WIDTH) DRILL _____ (1/4" HOLE -SEE BELOW) HAND PULLS _____

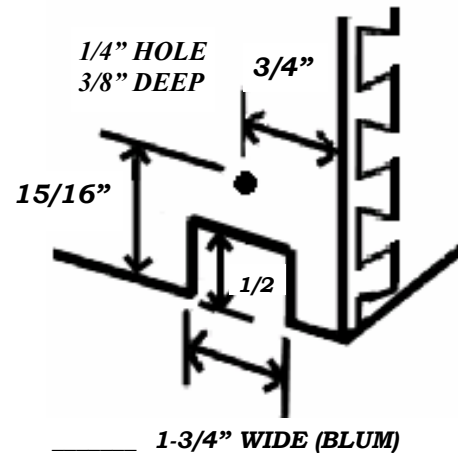
	QTY	HEIGHT	WIDTH	DEPTH	NOTES
1					
2					
3					
4					
5					
6					
7					
8					
9					
10					
11					
12					
13					
14					
15					
16					
17					
18					
19					
20					
21					

Thickness: 1/2" 5/8"

Bottom: 1/4" 1/2"



DADO / HOLE LOCATIONS



All quotes will be faxed back within 24 hours.